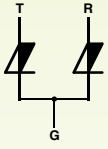
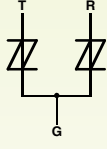





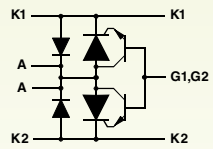
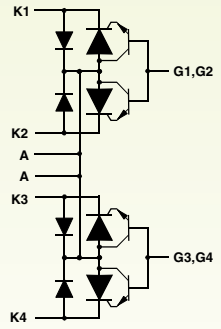
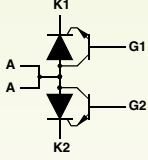
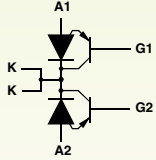
# Bourns® TISP® Telecom Overvoltage Protectors

## Product Selection Guide

### FIXED VOLTAGE

Series				
TISP1xxx Dual Unidirectional	TISP3xxx Dual Bidirectional	TISP4xxx Single Bidirectional	TISP5xxx Single Unidirectional	TISP7xxx Triple Element Bidirectional
Device Symbol				
				
Applications				
<ul style="list-style-type: none"> <li>• SLIC Linecard</li> </ul>	<ul style="list-style-type: none"> <li>• 3-Wire Ground Backed Ringer</li> <li>• Solid State Relay</li> <li>• Surge Bars</li> </ul>	<ul style="list-style-type: none"> <li>• 2-Wire System</li> <li>• ISDN Subset</li> <li>• Modems</li> <li>• Telephones</li> <li>• Fax Machines</li> <li>• xDSL</li> <li>• Set Top Boxes</li> <li>• Surge Bars</li> </ul>	<ul style="list-style-type: none"> <li>• SLIC Linecard</li> <li>• ISDN</li> </ul>	<ul style="list-style-type: none"> <li>• 3-Wire Battery Backed Ringer</li> <li>• ISDN / Interwire</li> </ul>

### GATED (PROGRAMMABLE)

Series			
TISP6xxxx TISPPBL3 Dual Programmable	TISP6NTP2x Quad Programmable	TISP8200M (Typically used as a complimentary pair) Dual Programmable Unidirectional for Negative Polarity	TISP8201M Dual Programmable Unidirectional for Positive Polarity
Device Symbol			
			
Applications			
<ul style="list-style-type: none"> <li>• SLIC Linecard</li> <li>• Ericsson PBL 3xx SLIC</li> </ul>	<ul style="list-style-type: none"> <li>• Dual SLIC Lines</li> <li>• Cable Modems</li> <li>• ISDN Power Feeds</li> <li>• Smart NT</li> <li>• Set Top Boxes</li> </ul>	<ul style="list-style-type: none"> <li>• POTS Linecard</li> <li>• Dual Supply Ringing SLIC</li> </ul>	

# Bourns® TISP® Telecom Overvoltage Protectors

## How To Order

TISP 4 290 H 3 BJR

### Device Configuration

#### Fixed Voltage:

- 1 = Dual Unidirectional
- 3 = Dual Bidirectional
- 4 = Single Bidirectional
- 5 = Single Unidirectional
- 7 = Triple Element Bidirectional

#### Programmable Voltage:

- 6, PBLx = Dual Programmable
- 6NTPx = Quad Programmable
- 8 = Dual Programmable Unidirectional

### Protection Voltage $V_{(BO)}$

(Not applicable for programmable devices)

### Surge Guarantee 10/1000

- L  $\cong$  30 A
- F  $\cong$  35 A
- M = 50 A
- H = 100 A

### Holding Current ( $I_H$ )

- 1 = 50 mA
- 3 = 150 mA
- 4 = 225 mA

### Delivery Option



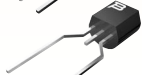
BJR\* = SMBJ (DO-214AA)  
 AJR\* = SMAJ (DO-214AC)



DR\* = SOIC



LM, LMR\* = DO-92 (Modified TO-92)



LMFR\* = DO-92 (Formed Leads Version)



SL = Single In Line



*Leading  
by Design*®

#### The Americas:

TEL +1-909 781-5500  
 FAX +1-909 781-5700

**bourns.com**

\* Supplied on tape and reel.